

**K2 SPORT BAR
FOR HILUX 2015+**

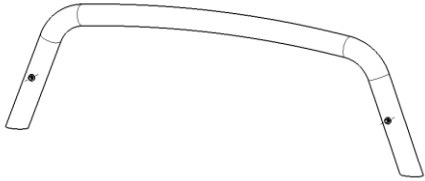
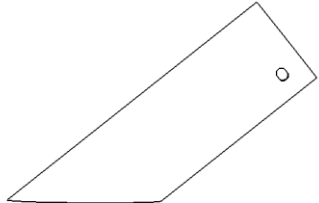
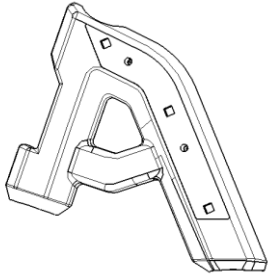
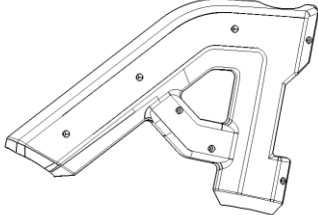
Before Installation

- Please read the instruction completely for easy installation, which will also help you to avoid scratches or other potential damages to your appealing car.
- The information shown here is for reference only and may differ from the product that you receive, however the goods are fitted in the same way.

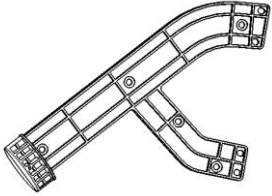
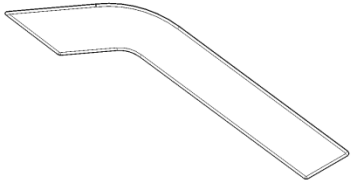
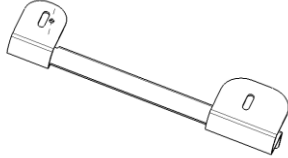
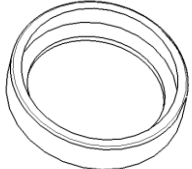
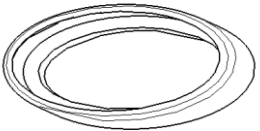
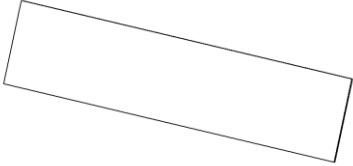



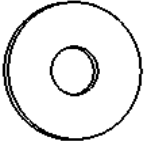

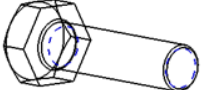
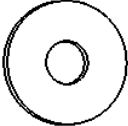
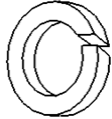
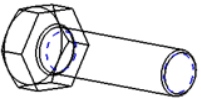

Care and Cleaning

- Mild soap may be used also to clean the Product.
- Please periodically check and retighten all the hardware and clean the investment for a refresh look.

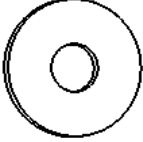

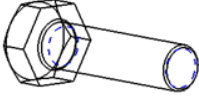
Parts list

NO.	QTY	PICTURE	NO.	QTY	PICTURE
①	1	 MAIN TUBE	②	2	 SIDE TUBE (L&R)
③	2	 FRONT COVER (L&R)	④	2	 REAR COVER (L&R)

INSTALLATION INSTRUCTIONS

5	2	 PLASTICE FRAME (L&R)	6	2	 DECORATION PLATE (L&R)
7	2	 BRACKETS FOR SOFT TONNEAU COVER (L&R)	8	2	 FRONT RUBBER COVER (L&R)
9	2	 REAR RUBBER COVER (L&R)	10	2	 STICKERS
11	2	 ST4_16	12	14	 ST4.2_30
13	8	 HEX NUT M6	14	16	 LARGE WASHER D6
15	8	 SPRING WASHER D6	16	8	 HEX NUT M6*35
17	4	 LARGE WASHER D10	18	4	 SPRING WASHER D10
19	4	 HEX NUT M10*40	20	4	 HEX NUT M12

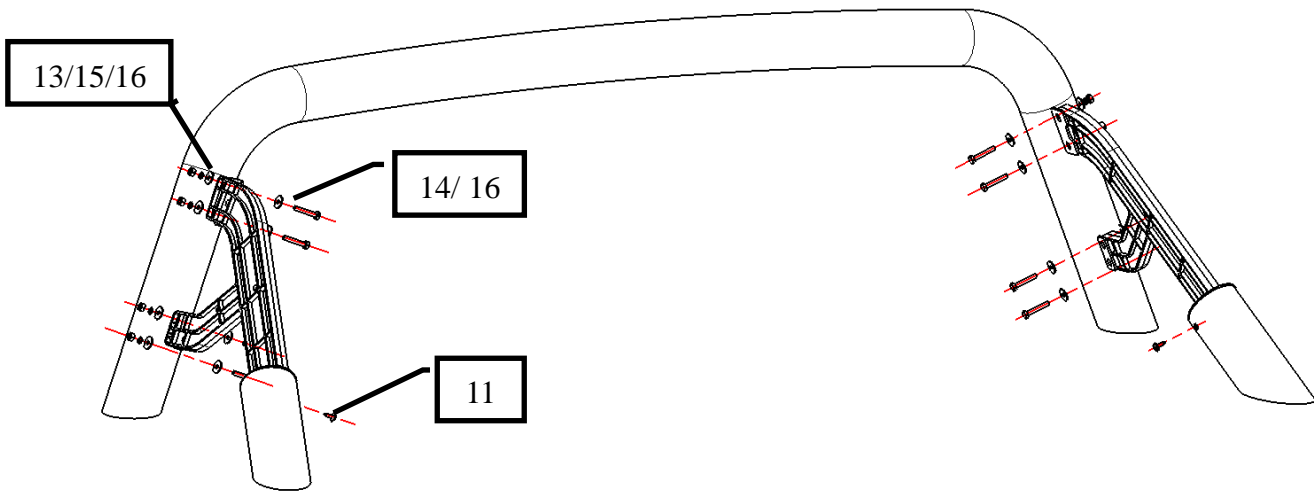
INSTALLATION INSTRUCTIONS

21	8	 WASHER D12	22	4	 SPRING WASHER D12
23	4	 HEX NUT M12*40			

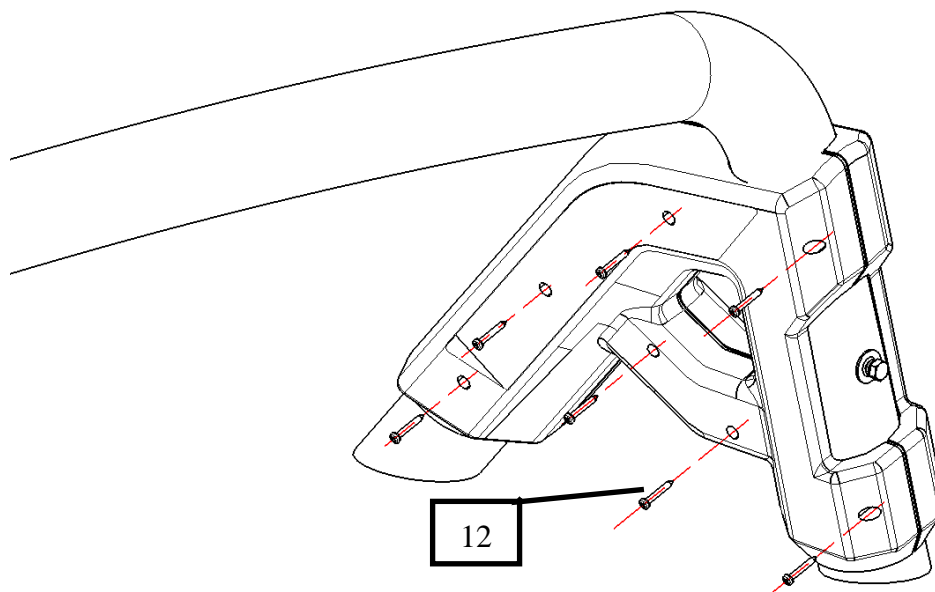
Installation Steps

Installation Fig.

Step 1: Connect the main tube and side tubes with plastic frame (L&R).

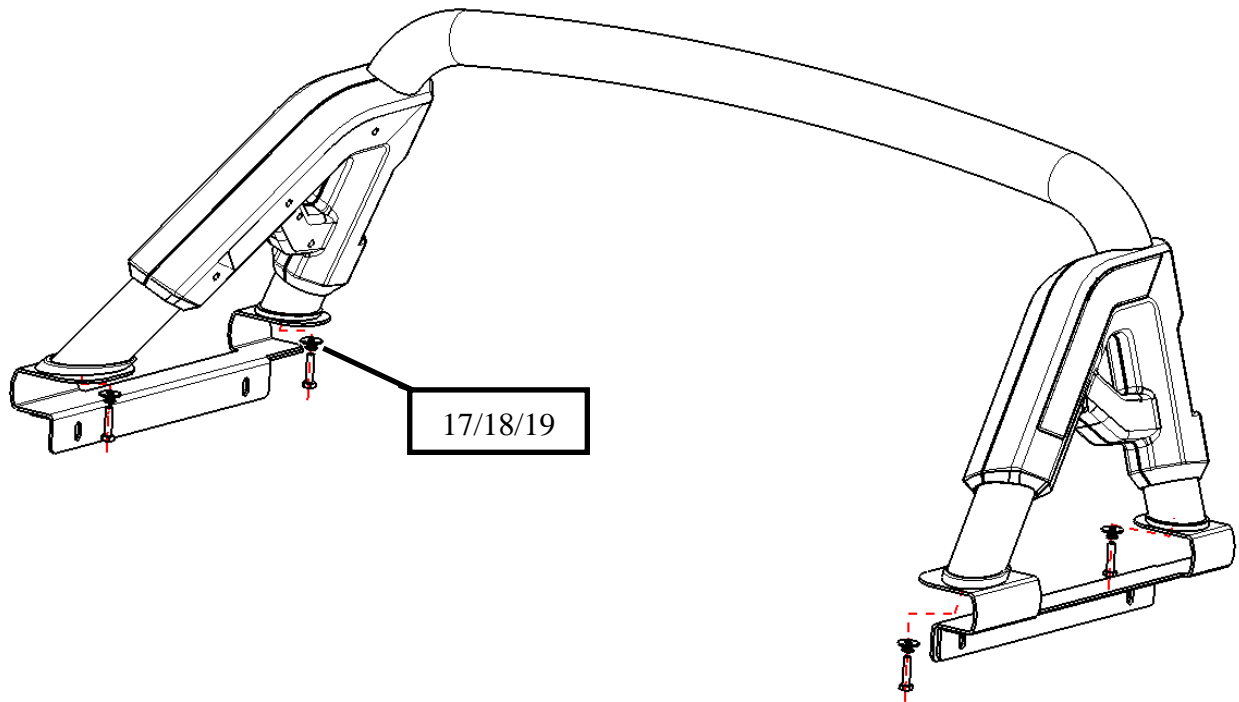


Step 2: Install the front and rear plastic cover with ST4.2_30.

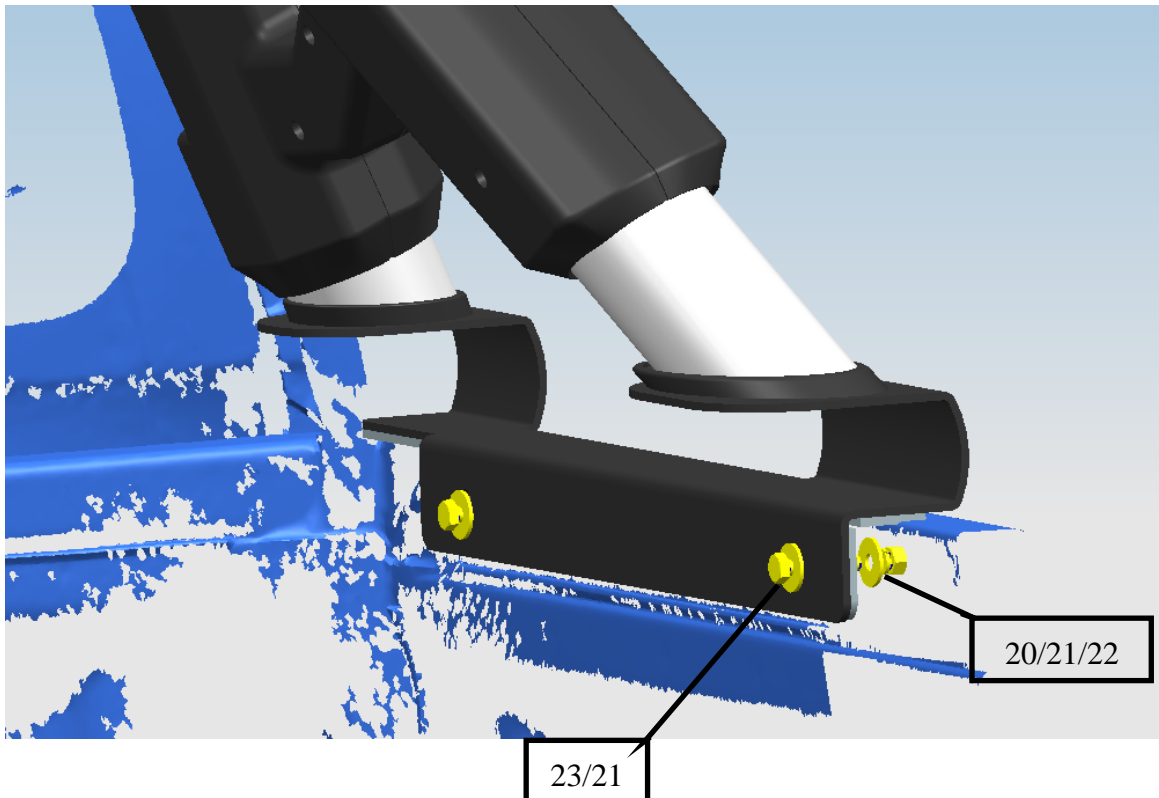


INSTALLATION INSTRUCTIONS

Step 3: Connect the sport bar and brackets=8/9/17/18/19.

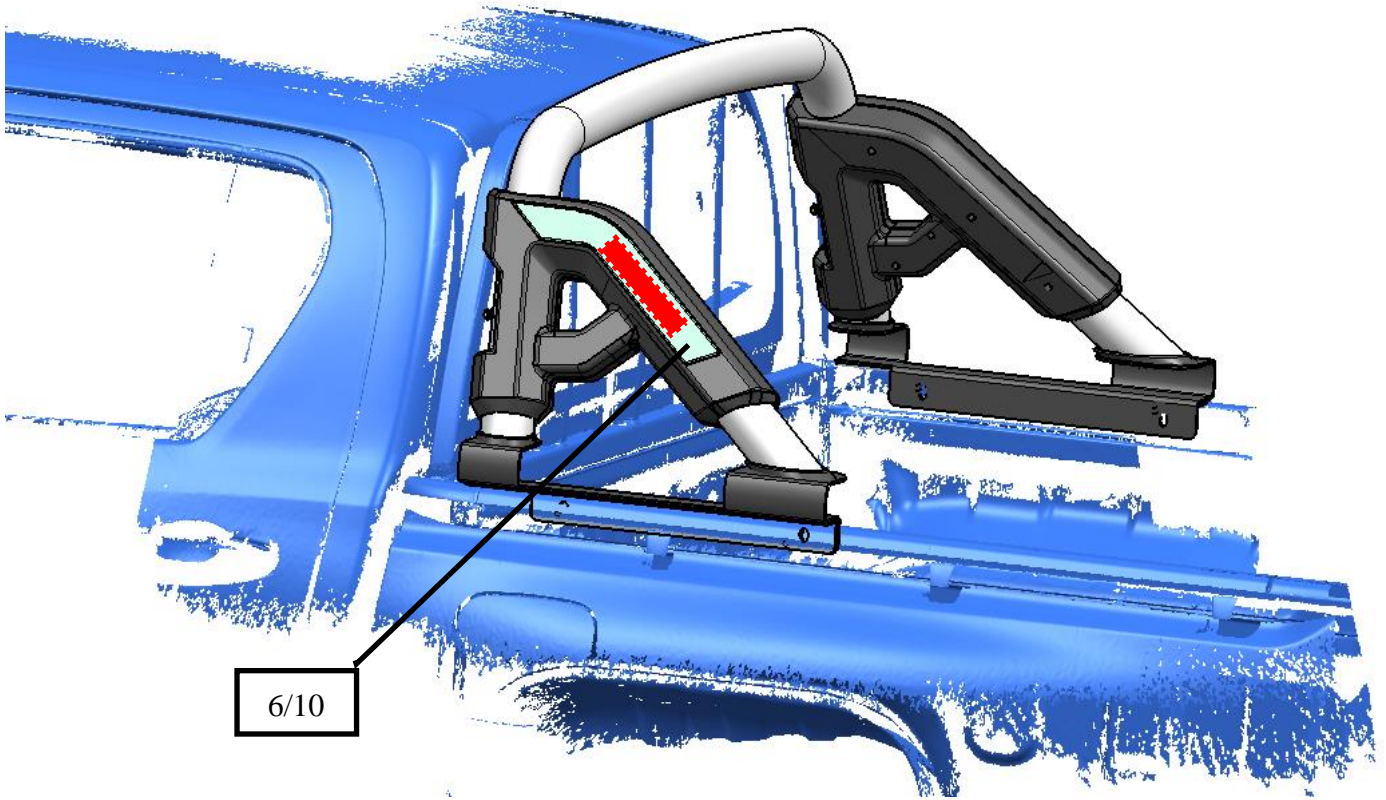


Step 4: Putting the roll bar on the Pick Up, adjusting the position, then marking and drilling 4 holes ($\Phi 12$) on the inside of carriage and install HEX NUT M12*40.



Step 5: Stick on the stickers.

INSTALLATION INSTRUCTIONS



Step 6: Installation is finished, pick up all tools.

NOTE

Any damages and losses caused by improper installation and application, goes beyond our quality warranty.